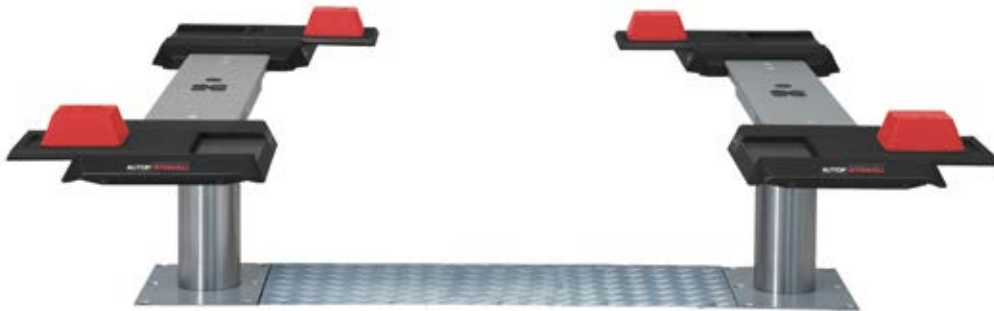


Application

- Check-in
- Car wash
- Repair and maintenance
- Testing equipment

Approvals

- All models:
Renault
- ML 2.35 Pv 140-200:
Opel
- ML 2.35 Pv 160-220 xy:
Mercedes-Benz,
Volkswagen Group
- ML 2.35 Pv 170-240:
BMW / Mini



Masterlift 2.35 Pv

Electro-hydraulic twin-ram lift, 3.5 t, superstructure with flat lifting supports

Description:**Steel cassette:**

- Waterproof steel cassette

Hydraulic unit:

- Hard-chrome plated cylinder
- Flexible synchronization and safety system
- Corrosion-free guiding elements
- Pump unit with immersed motor
- Ecological hydraulic fluid
- Pneumatic emergency lowering
- Programmable pushbutton control unit

Superstructure:

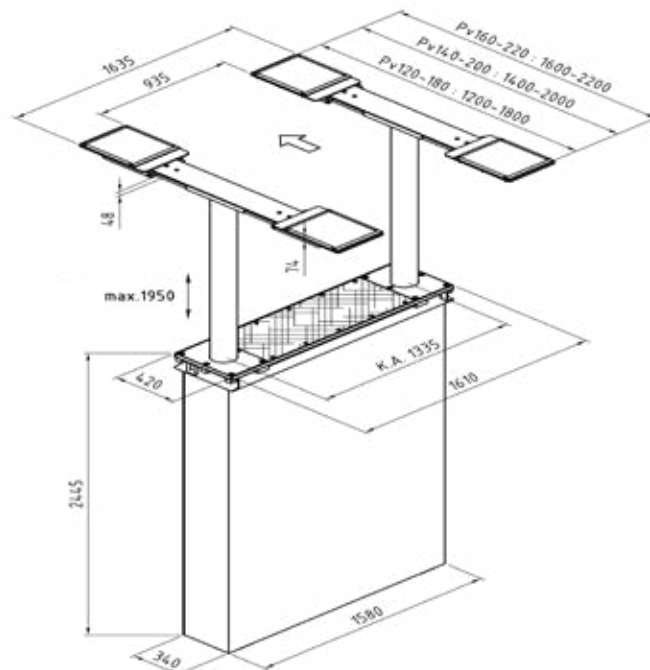
- Stable lifting supports, lengthwise adjustable
- Rubber-coated, non-skid pads
- Low minimum height

Standard colours

- Pv Premium: zink coated and painted RAL 7016

Technical data	
Lifting capacity	3,500 kg
Lifting height	1,950 mm
Working height	2,015 mm + Rubber pads
Cylinder diameter	2 x 123 mm
Distance between cylinders	1,335 mm
Lifting / lowering time	app. 30 Sec.
Foundation depth	2,625 mm
Pump unit	3.0 kW
Ecological hydraulic fluid	10 l
Voltage	230/400 V - 50 Hz - 16 A

Pv superstructure	
Total width min. - max.	120 - 180: app. 1,200 - 1,800 mm 140 - 200: app. 1,400 - 2,000 mm 160 - 220: app. 1,600 - 2,200 mm 170 - 240: app. 1,700 - 2,400 mm
Min. height	65 mm



Scan the QR-Code for detailed product information.

Further Information on www.autopstenhoj.com

Versions:

Steel cassette:

- Zinc-coated
- Coated
- Self-carrying

Superstructure:

- Lifting supports in different lengths (120-180, 140-200, 160-220 & 170-240)
- Pv Standard: Zinc-coated
- Pv Premium: zink coated and painted

Installation:

- Superstructure on floor
- Superstructure in floor (für 140-200 & 160-220)
- Ceiling installation

Optional extras:

- XY-pads
- Sets of rubber blocks, 40, 60, 80 and 100 mm

Special colours available on request!