



AC Hydraulic<sup>A/S</sup>  
NO COMPROMISE





# HYDRAULIC JACKS

## DK20 / DK20Q



Capacity: 2,0 t  
Max. height: 495 mm

### Jack for passenger cars and vans

- Very low minimum height of only 80 mm
- Wide and robust frame made of high-strength steel
- Precise and safe control whilst lowering
- Manual dead man's release for optimum safety when lowering
- Built-in safety overload valve
- Noiseless wheels incorporating a polyurethane central O ring offers maximum surface protection
- Ergonomically designed handle ensuring positive and safe operation
- DK20Q is fitted with quick-lift pedal for easy reach of lifting point



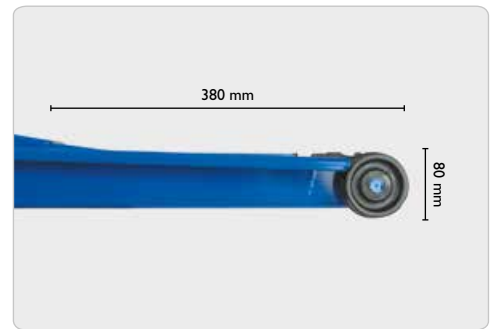
## DK13HLQ



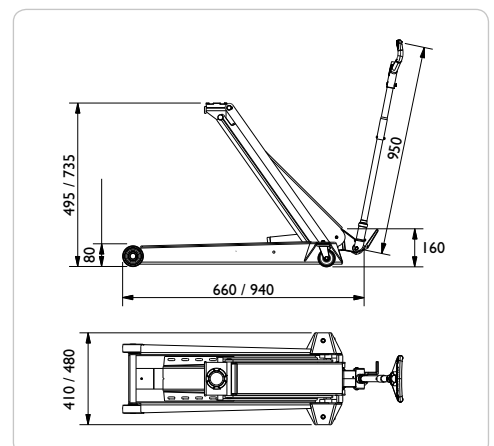
Capacity: 1,3 t  
Max. height: 735 mm

### High lifter with long reach, ideal for cars with low clearance

- Very low minimum height of only 80 mm
- Wide and robust frame made of high-strength steel
- Fitted with quick-lift pedal for easy reach of lifting point
- Precise and safe control whilst lowering
- Manual dead man's release for optimum safety when lowering
- Built-in safety overload valve
- Noiseless wheels incorporating a polyurethane central O ring offers maximum surface protection
- Ergonomically designed handle ensuring positive and safe operation



	DK20	DK20Q	DK13HLQ
Capacity	2,0 t	2,0 t	1,3 t
Min. height	80 mm	80 mm	80 mm
Max. height	495 mm	495 mm	735 mm
Frame length	660 mm	660 mm	940 mm
Handle length	950 mm	950 mm	950 mm
Frame height	160 mm	160 mm	160 mm
Width	410 mm	410 mm	480 mm
Weight	31 kg	31 kg	39 kg





## OPTION - HYDRAULIC JACKS

### GSI



**Rubber cushion**  
For protection of car body

Fits:  
DK20  
DK20Q  
DK13HLQ  
DK20HLQ  
T3



### G4

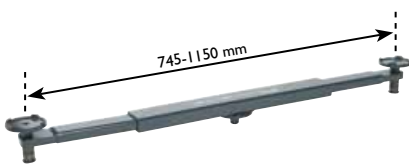


**High quality pneumatic tyres**  
For easy transport and extra manoeuvrability – also on uneven floors

Fits:  
DK40Q  
DK60Q  
DK100Q  
DK120Q  
DK50HLQ



### T3



Capacity: 1,0 t

**Cross beam adaptor**  
Lifts the car for change of both wheels at the same time  
With telescopic arms, reach from 745 – 1150 mm

Fits:  
DK20  
DK20Q  
DK13HLQ  
DK20HLQ



### FDK1 / FDK2



**Extension FDK1**  
Extension for cars with high clearance (100 mm)

Fits:  
DK20 / DK20Q  
DK13HLQ / DK20HLQ

**Extension FDK2**  
Extension for cars with high clearance (125 mm)

Fits:  
DK40Q / DK60Q  
DK100Q/DK120Q/DK50HLQ





GEMCO Equipment Ltd  
153 - 165 Bridge Street, Northampton, NN1 1QG  
t: 01604 828600  
e: sales@gemco.co.uk w: www.gemco.co.uk