



AC Hydraulic<sup>A/S</sup>  
NO COMPROMISE





# HYDRAULIC JACKS

## DK40Q / DK60Q



Capacity: 4,0 / 6,0 t  
Max. height: 600 mm

### Jack for trucks, agricultural machinery & contractors' machines

- Low minimum height of only 140 mm
- Can be fitted with pneumatic tyres for easy manoeuvring (option)
- Wide and robust frame made of high-strength steel
- Fitted with quick-lift pedal for easy reach of lifting point
- Precise and safe control whilst lowering
- Manual dead man's release for optimum safety when lowering
- Built-in safety overload valve
- Ergonomically designed handle ensuring positive and safe operation



## DK100Q / DK120Q



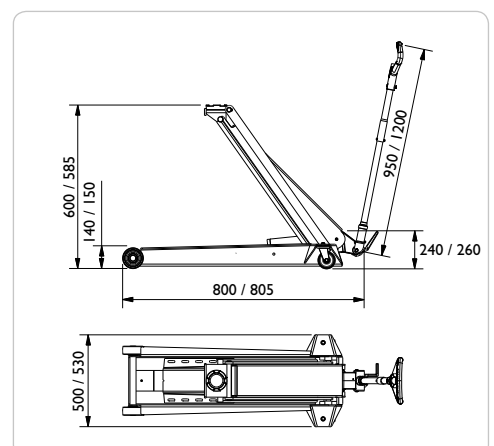
Capacity: 10,0 / 12,0 t  
Max. height: 585 mm

### Jack for trucks, agricultural machinery & contractors' machines

- Low minimum height of only 150 mm
- Can be fitted with pneumatic tyres for easy manoeuvring (option)
- Wide and robust frame made of high-strength steel
- Fitted with quick-lift pedal for easy reach of lifting point
- Precise and safe control whilst lowering
- Manual dead man's release for optimum safety when lowering
- Built-in safety overload valve
- Ergonomically designed handle ensuring positive and safe operation



	DK40Q	DK60Q	DK100Q	DK120Q
Capacity	4,0 t	6,0 t	10,0 t	12,0 t
Min. height	140 mm	140 mm	150 mm	150 mm
Max. height	600 mm	600 mm	585 mm	585 mm
Frame length	800 mm	800 mm	805 mm	805 mm
Handle length	950 mm	1200 mm	950 mm	1200 mm
Frame height	240 mm	240 mm	260 mm	260 mm
Width	500 mm	500 mm	530 mm	530 mm
Weight	95 kg	95 kg	118 kg	118 kg





## OPTION - HYDRAULIC JACKS

### GSI



**Rubber cushion**  
For protection of car body

Fits:  
DK20  
DK20Q  
DK13HLQ  
DK20HLQ  
T3



### G4

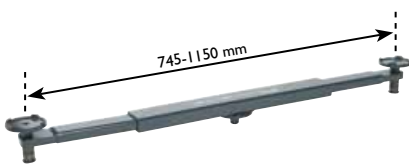


**High quality pneumatic tyres**  
For easy transport and extra manoeuvrability – also on uneven floors

Fits:  
DK40Q  
DK60Q  
DK100Q  
DK120Q  
DK50HLQ



### T3



Capacity: 1,0 t

**Cross beam adaptor**  
Lifts the car for change of both wheels at the same time  
With telescopic arms, reach from 745 – 1150 mm

Fits:  
DK20  
DK20Q  
DK13HLQ  
DK20HLQ



### FDK1 / FDK2



**Extension FDK1**  
Extension for cars with high clearance (100 mm)

Fits:  
DK20 / DK20Q  
DK13HLQ / DK20HLQ

**Extension FDK2**  
Extension for cars with high clearance (125 mm)

Fits:  
DK40Q / DK60Q  
DK100Q/DK120Q/DK50HLQ





GEMCO Equipment Ltd  
153 - 165 Bridge Street, Northampton, NN1 1QG  
t: 01604 828600  
e: sales@gemco.co.uk w: www.gemco.co.uk