



AC Hydraulic^{A/S}
NO COMPROMISE





HEAVY DUTY COMMERCIAL CRANES

WN11 / WN15



Capacity: 1,1 / 1,5 t

Hydraulic workshop crane for auto workshops and industry

Commercial crane fitted with hard chromium plated piston rod and pump piston for longer life

Jib arm with large lifting capacity – even in 5th position

* See capacity table

Pump rotates 360° for excellent operation in all working conditions

Built-in safety overload valve

Wheels revolve 360° for easy manoeuvrability even with maximum load

Lifting hook pivots 360°

Hand operated dead man's release for optimum safety whilst lowering

Inner frame width enables use with Euro pallets



WN20 / WN25



Capacity: 2,0 / 2,5 t

Hydraulic workshop crane for auto workshops and industry

Commercial crane fitted with hard chromium plated piston rod and pump piston for long life

Jib arm with large lifting capacity – even in 5th position

* See capacity table

Pump rotates through 360° for excellent operation in all working conditions

Built-in safety overload valve

Wheels revolve 360° for easy manoeuvrability even with maximum load

Lifting hook pivots 360°

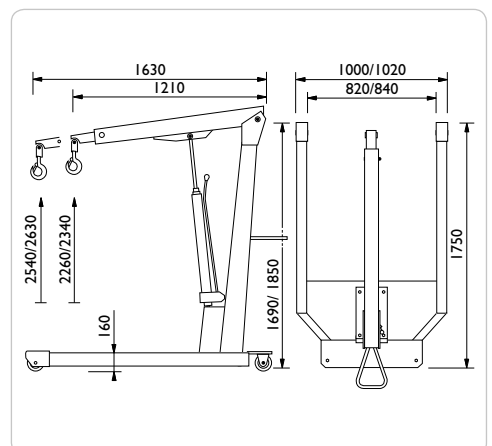
Hand operated dead man's release for optimum safety whilst lowering

Inner frame width enables use with Euro pallets



*	pos. 1	pos. 2	pos. 3	pos. 4	pos. 5
WN11	1100	1000	900	800	700
WN15	1500	1400	1300	1200	1100
WN20	2000	1900	1800	1700	1600
WN25	2500	2300	2100	1900	1700

	WN11	WN15	WN20	WN25
Capacity	1,1 t	1,5 t	2,0 t	2,5 t
Lifting height	2260 - 2540 mm	2260 - 2540 mm	2340 - 2630 mm	2340 - 2630 mm
Jib arm	1210 - 1630 mm	1210 - 1630 mm	1210 - 1630 mm	1210 - 1630 mm
Frame height	160 mm	160 mm	160 mm	160 mm
Frame length	1750 mm	1750 mm	1750 mm	1750 mm
Height	1690 mm	1690 mm	1850 mm	1850 mm
Inner width	820 mm	820 mm	840 mm	840 mm
Frame width	1000 mm	1000 mm	1020 mm	1020 mm
Weight	168 kg	175 kg	250 kg	255 kg





GEMCO Equipment Ltd
153 - 165 Bridge Street, Northampton, NN1 1QG
t: 01604 828600
e: sales@gemco.co.uk w: www.gemco.co.uk