

Application

- Car wash
- Repair and maintenance
- Body work



Mono Flex H 30

High pressure and semi-hydraulic lifts, 3 t capacity

Description:

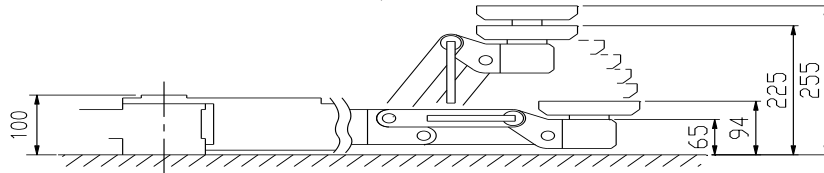
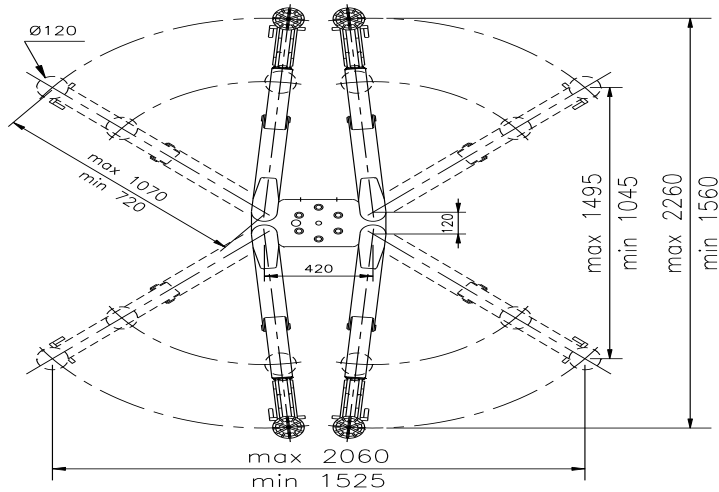
- Hard-chrome plated cylinder
- 4 different arm lengths
- Single telescopic arms
- 3 different base plates
- Semi-hydraulic with manouvering valve
- High pressure for either single or central operation (up to 6 lifts)
- Automatic arm locking system
- Available with anti-rotation device
- Available with pilot valve

Standard colours

- Base plate: Grey RAL 7016
- Arms: Red RAL 3020

Technical data	
Lifting capacity	3,000 kg
Lifting height	1,750 mm
Cylinder diameter	238 mm
Lifting / lowering time	35 Sec.
Foundation depth	2,600 mm
Ecological hydraulic fluid	High pressure: 8/40 l Semi-hydraulic: 140 l
Necessary constant air pressure	10 bar

Arm superstructure	
Min. height	100 mm
Arm length, min. - max. min./max.	645/1,040 mm 720/1,070 mm 835/1,395 mm 910/1,400 mm



Scan the QR-Code for detailed product information.

Further Information on www.autopstenhoj.com

Versions:

- Mono Flex H 30 S (645/1,040 mm)
- Mono Flex H 30 CF (720/1,070 mm)
- Mono Flex H 30 CF VAN (720/1,070 mm)
- Mono Flex H 30 CF VAN L (830/1,395 mm)
- Special version: Mono Flex H 20 CF CAMP (910/1,400 mm) 2,000 kg capacity for lifting caravans

Installation:

- S = screw pad
- CF = combiflex pad

Optional extras:

- Safety leg
- Installation frame
- Extra pads for CF-models
- Protection bag

Special colours available on request!