

# SOMERS

## SOMERS 7.5 TONNE MOBILE COLUMN LIFTS CABLED VERSION

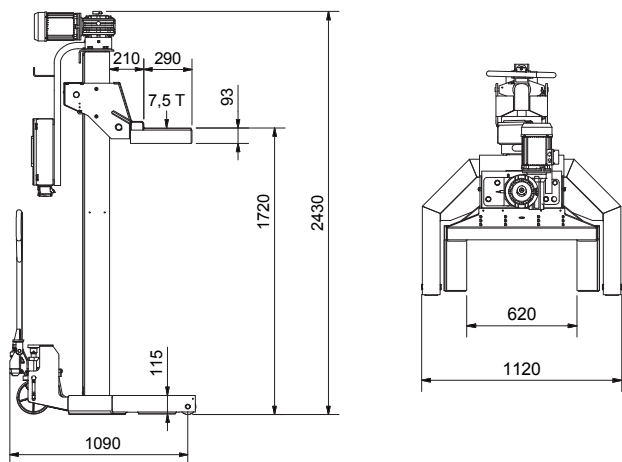
*A superior lift brought to you by the UK experts*

- ✓ 7.5 Tonne lifting capacity per column
  - ✓ Available in sets of 4 (30 tonnes) or 6 (45 tonnes) columns
  - ✓ Entire range of complimentary accessory products
  - ✓ Integrated towing jacks for easy manoeuvrability
  - ✓ The largest spare parts support in the industry
- ✓ The largest dedicated after-sales service team providing unrivalled support throughout the UK and Ireland



*The UK's Number 1 Mobile Columns  
are now available from the UK's  
Number 1 Garage Equipment Supplier!*

Saving you space and time, **SOMERS** cabled mobile columns feature the best lifting capability for workshops looking to invest in superior quality equipment whilst being mindful of flexibility and budget.



### Product Specification - Cabled Version

Capacity	7.5 Tonnes Per Column
Lifting Height	1720mm
Width Between Forks	620mm
Lifting Time	150 seconds
Electricity Supply	380 - 415v (3 Phase)
Handle	Pallet Truck Handle
Additional Extras	Wheel Adaptors
IP Rating	55

*another premium brand brought to you by* **GEMCO**

**GEMCO Equipment Ltd**  
153 - 165 Bridge Street, Northampton, NN1 1QG  
t: 01604 828600 e: sales@gemco.co.uk w: www.gemco.co.uk

