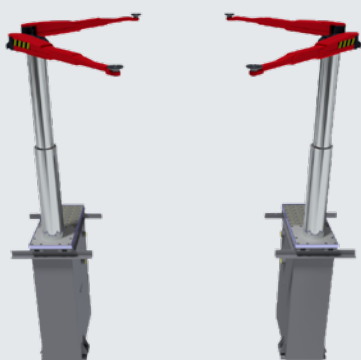


Masterlift Tele 2.35 Saa

Electro-hydraulic twin-ram telescopic lift, 3.5 t capacity, superstructure with arms

NEW



Application

- Body work
- Repair and maintenance

Description:

Steel cassette:

- Waterproof steel cassette
- Self-carrying

Hydraulic unit:

- Hard-chrome plated telescopic reversed cylinders
- Electrical monitoring of synchronization through sensor ladder rack for main level and through wire potentiometer for telescopic level
- Pneumatically operated safety ratchet for main level
- Redundant hydraulic system for telescopic level
- Mechanic anti-rotation device in telescopic cylinders
- Corrosion-free guiding elements
- One hydraulic pump unit with immersed motor per cylinder section
- Ecological hydraulic fluid
- Pneumatic emergency lowering
- Automatic regulation of synchronization through programmable pushbutton control unit, therefore no mechanical connection between both cylinder sections
- Flexible cylinder distances up to max. 2.600 mmt

Superstructure:

- Double-telescopic arms
- Internal arm locking system
- Low minimum height
- Low construction height at swivel arm bearing
- Perfect for sports cars - with a minimum height under 100 mm in a width of 1,900 mm

Standard colours:

- Base plates: RAL 7016 -grey
- Arms: RAL 3020 - red

Version:

Steel cassette:

- Hot galvanized
- Synthetic coating
- Fire protection covering

Installation:

- Superstructure on floor
- Ceiling installation

Optional extras:

- Large program of extra pads

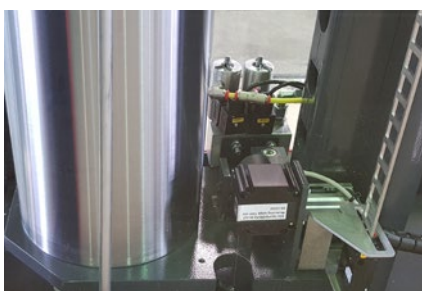
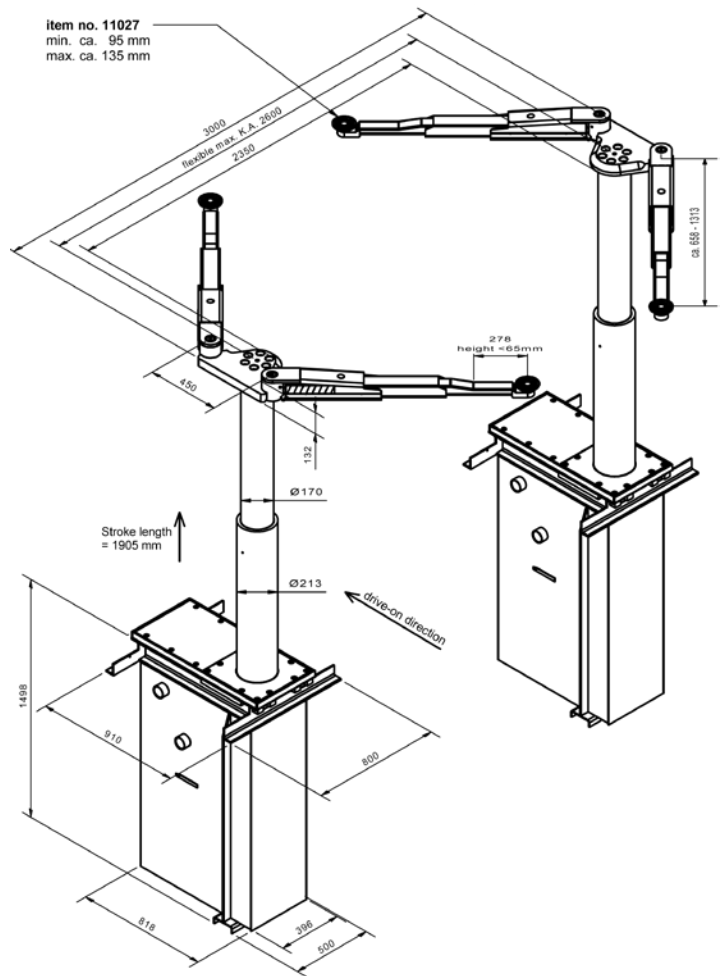
Zinc coating and special colours on request!

Technical data

Lifting capacity	3,500 kg
Stroke length	1,905 mm
Working height	Universal: 11027 (2.000 - 2.040 mm)
Cylinder diameter	Ø 213 / Ø 170
Distance between cylinders	flexible, max. 2,600 mm
Lifting / lowering time	approx. 30 sec.
Foundation depth	1,500 mm
Pump unit	2 x 3 kW
Hydraulic oil	22 l
Voltage	230 / 400 V – 50 Hz – 16 A

Arm superstructure

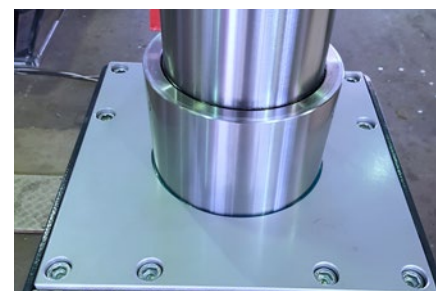
Total width	3,000 mm
Inserting height in arm:	42 mm
Lifting pad included in the delivery	Universal: 11027 (95 – 135 mm) Sport: 29265 (70 – 95 mm)
Min. height	Uni: 95 – 135 mm Sport: 70 – 95 mm
Drive-through width	Saa 230: 2,070 mm Saa 260: 2,385 mm
Arm length min. - max.	658 – 1,313 mm



Details hydraulic unit



Pushbutton control and cabinet



Main and telescopic level