

X1350F Mondolfo Ferro Titan 3.5 Tonne Low Rise Scissor Lift



Made In Italy



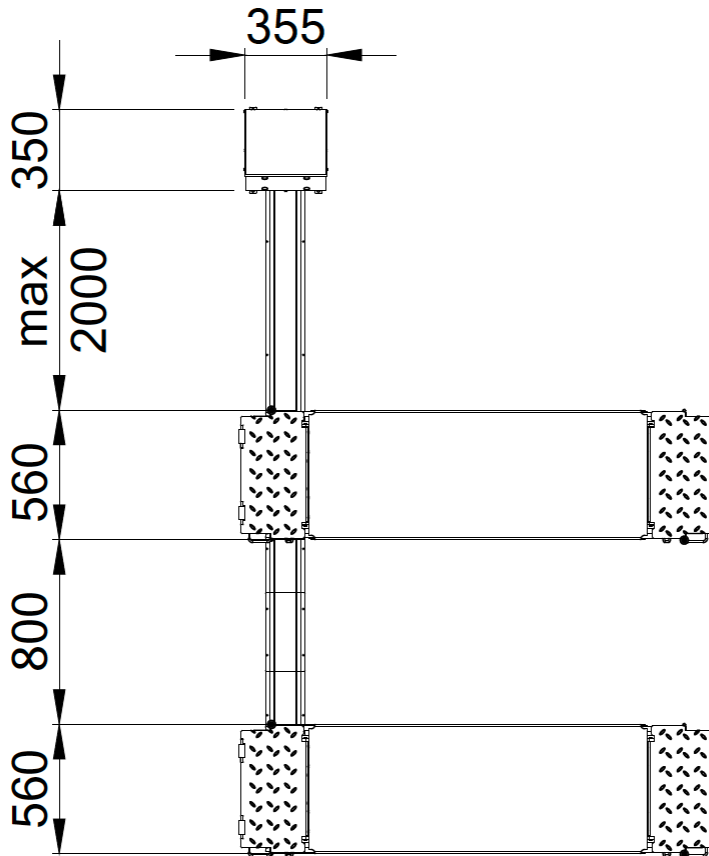
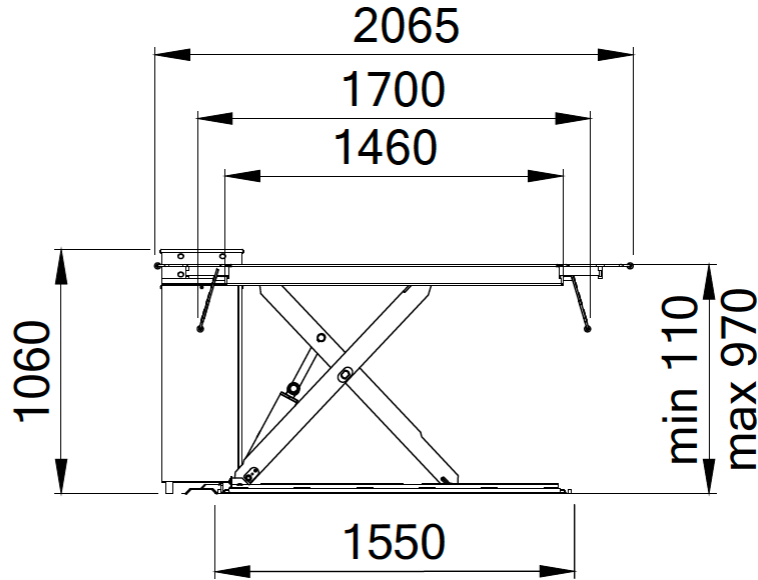
The Mondolfo Ferro X1350F is an Italian-made, low-rise scissor lift of the utmost quality.

Featuring a large scissor structure, for increased stability when lifting vehicles, this lift comes with a hydraulic platform levelling system with a dual master/slave circuit (two cylinders per platform) for total safety without the need for mechanical racks.

- 3.5 tonne lifting capacity
- 110mm minimum height
- 970mm maximum lifting height
- 560mm platform width
- 1460mm-2065mm platform length
- 800mm distance between platforms
- Electro-hydraulic operation
- 3kW motor size
- 3 phase

Contact Us: 0345 872 2400 / Email: sales@gemco.co.uk / Website: www.gemco.co.uk

X1350F Mondolfo Ferro Titan 3.5 Tonne Low Rise Scissor Lift



Contact Us: 0345 872 2400 / Email: sales@gemco.co.uk / Website: www.gemco.co.uk