

AGO50L+

PRODUCT GUIDE



Wheel Aligners

Car 4 Wheel Laser Aligner (Tracking Gauges)

You'll find the AGO50L+ in every corner of the globe. Its simple but effective design allows accurate alignment in practically any environment.

With minimal moving parts, no wires, pin sharp laser images & rechargeable batteries it all adds up to one seriously versatile Wheel Alignment Machine.

And best of all, It'll make you money. Shed loads to be honest. Basically whatever you spent on it, it'll repay you that week in week out, year on year, decade on decade.

It's quick, it's simple to use, it's well priced and it's built to last.

Comes with:

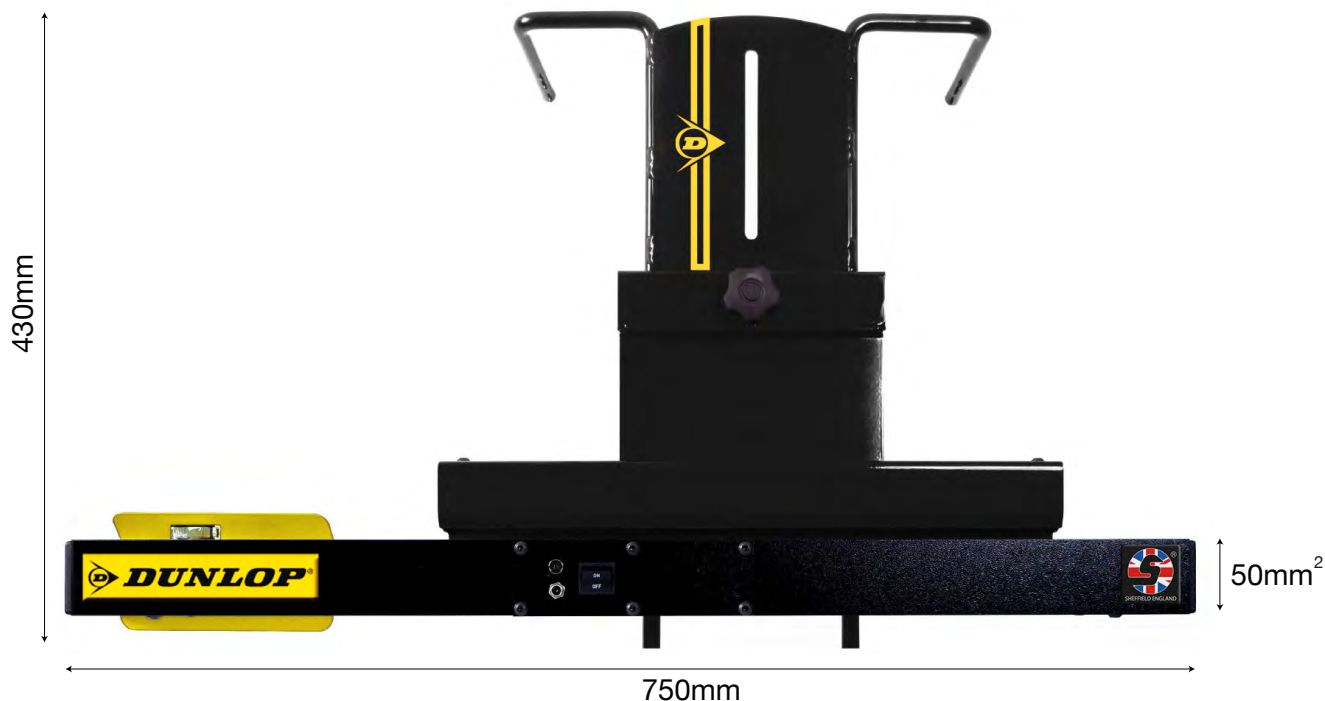
- 2 x Laser Wheel Alignment Gauges
- 1 x Heavy Duty Wall Cabinet
- 2 x Rear Flags
- 1 x Integrated Charger
- 3 Year Limited Warranty (1 year warranty on accessories)

Accessories include:

- 2 x Premium Heavy Duty Turnplates (4mm thickness)
- 1 X Standard Steering Wheel Clamp

Set-up and installation:

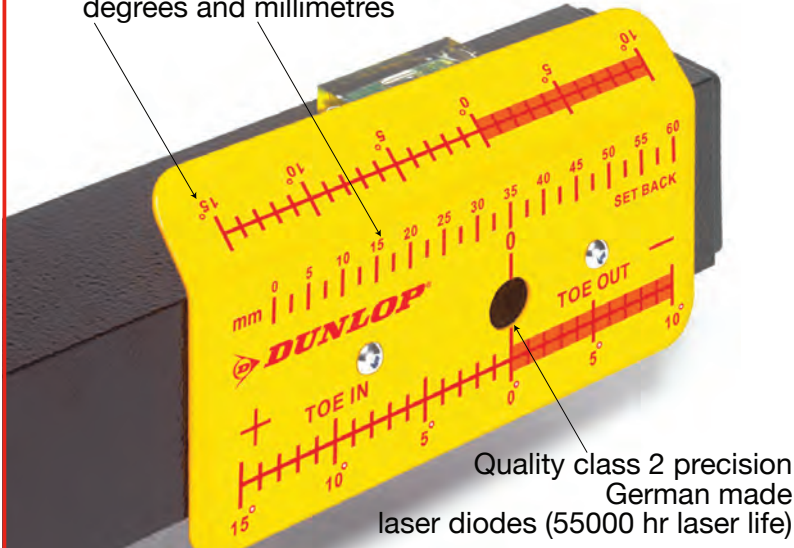
- User manual for step-by-step guide
- Unlimited remote support

PRODUCT SPECIFICATIONS**2 x Laser Wheel Alignment Gauges**

Double powder coated gloss Jet Black (RAL 9005) and gloss Zinc Yellow (RAL 1018), the laser tube is hard wearing leatherette textured Jet Black (RAL 9005)

2 x Toe Scales

Precision screen printed measurements in degrees and millimetres

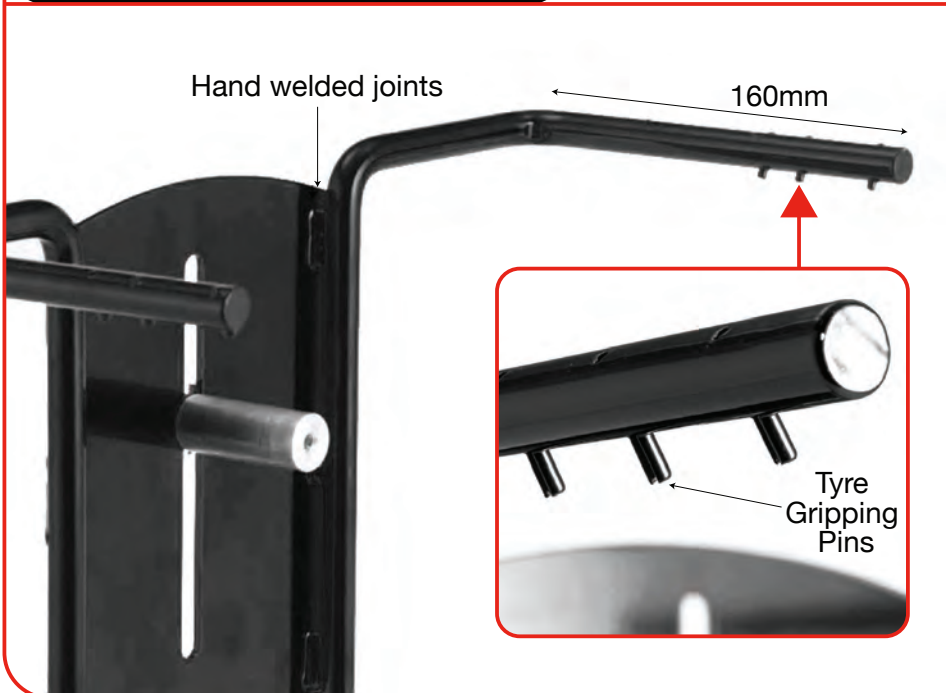
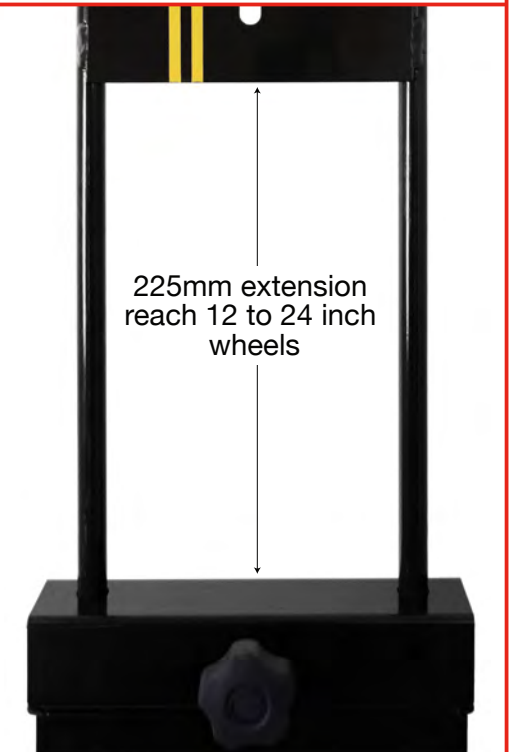
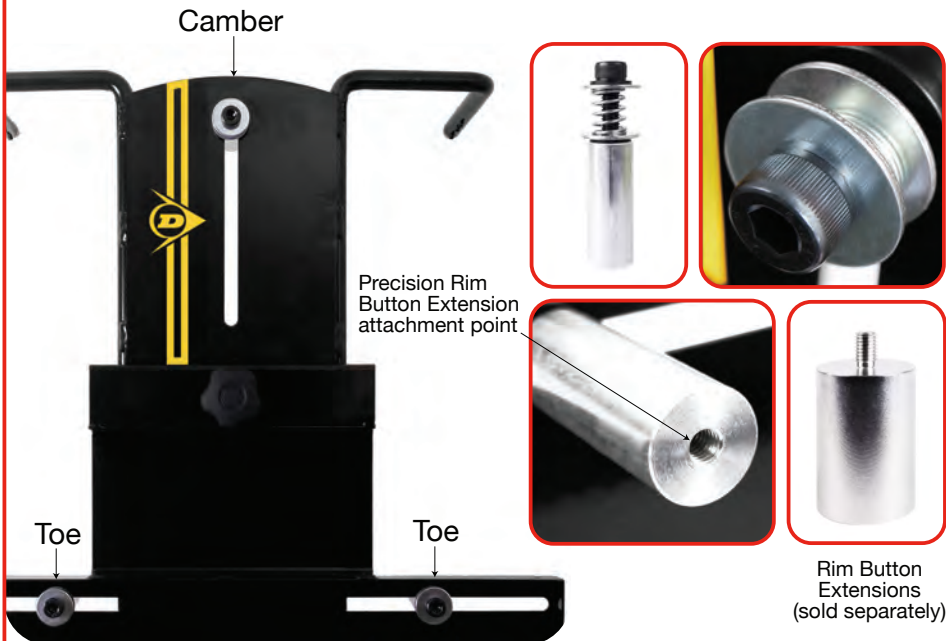


2 x Rear Flag Assembly

Rim touching Rear Flags

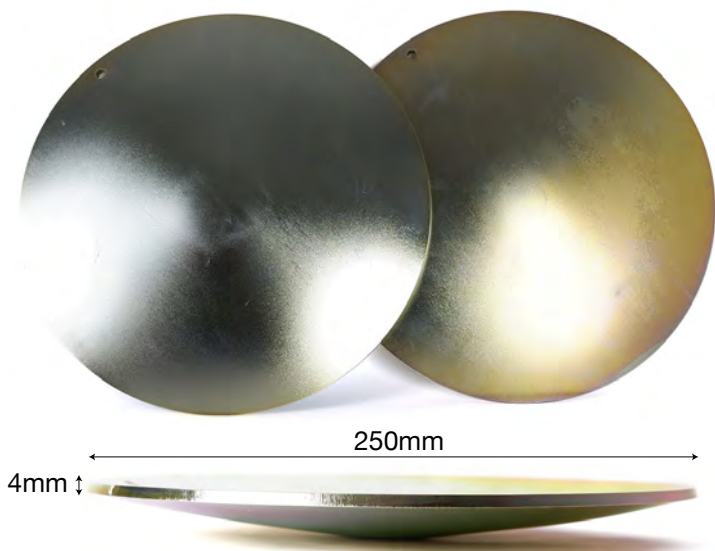


10 x Precision milled spring loaded Rim Buttons



2 x Heavy Duty Dished Turnplates

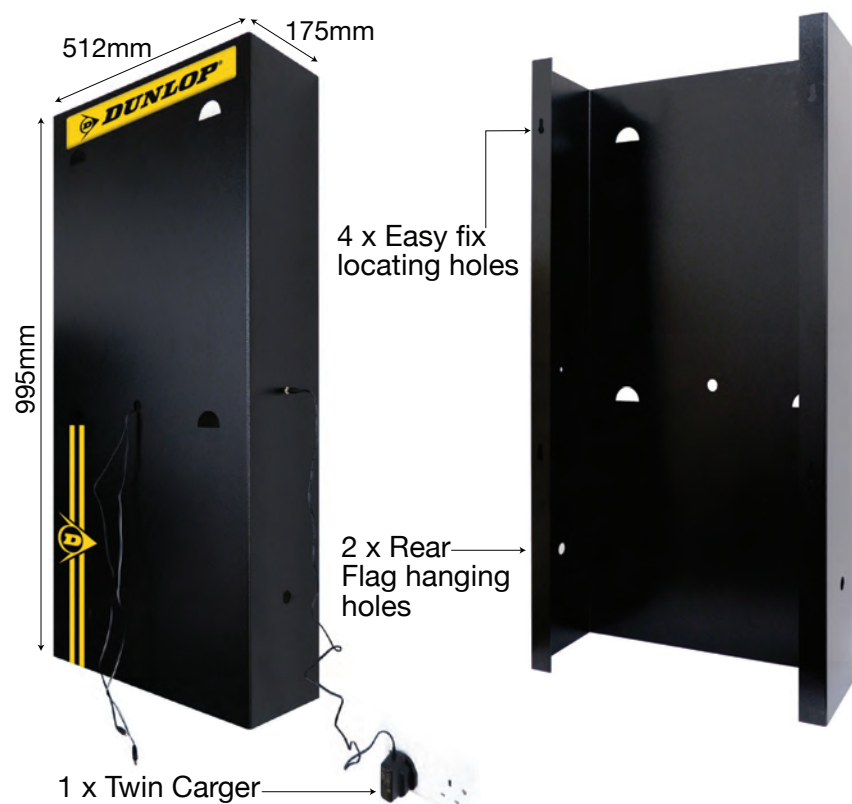
- Made from 4mm mild steel
- Dished with 200 tonnes of pressure
- Anti rust zinc plating.
- 3.12kg per pair. (1.56 kg each)
- Hand made in Sheffield



1 x Standard Steering Wheel Clamp



1 x Storage Wall Cabinet



Weight (cardboard box): 36kg

