

# AGO50L

## PRODUCT GUIDE



### Wheel Aligners

#### Car 4 Wheel Laser Aligner (Tracking Gauges)

The AGO50L is our entry level 4 wheel laser aligner. The business end is exactly the same as all the other Car 4 wheel laser aligners. What differs is a space saving wall bracket and basic accessories, and obviously price...

It's the perfect alternative if you want all the professional benefits of our other range of 4 wheel aligners but are limited for space and Budget conscience.

However, with minimal moving parts, no wires, pin sharp laser images & rechargeable batteries all add up to one seriously versatile Wheel Aligner. Actually, It has no equal or rival in build quality, design & global pricing.

Like all our Aligners, it's quick, it's simple to use, it's well priced and it's built to last.

**Comes with:**

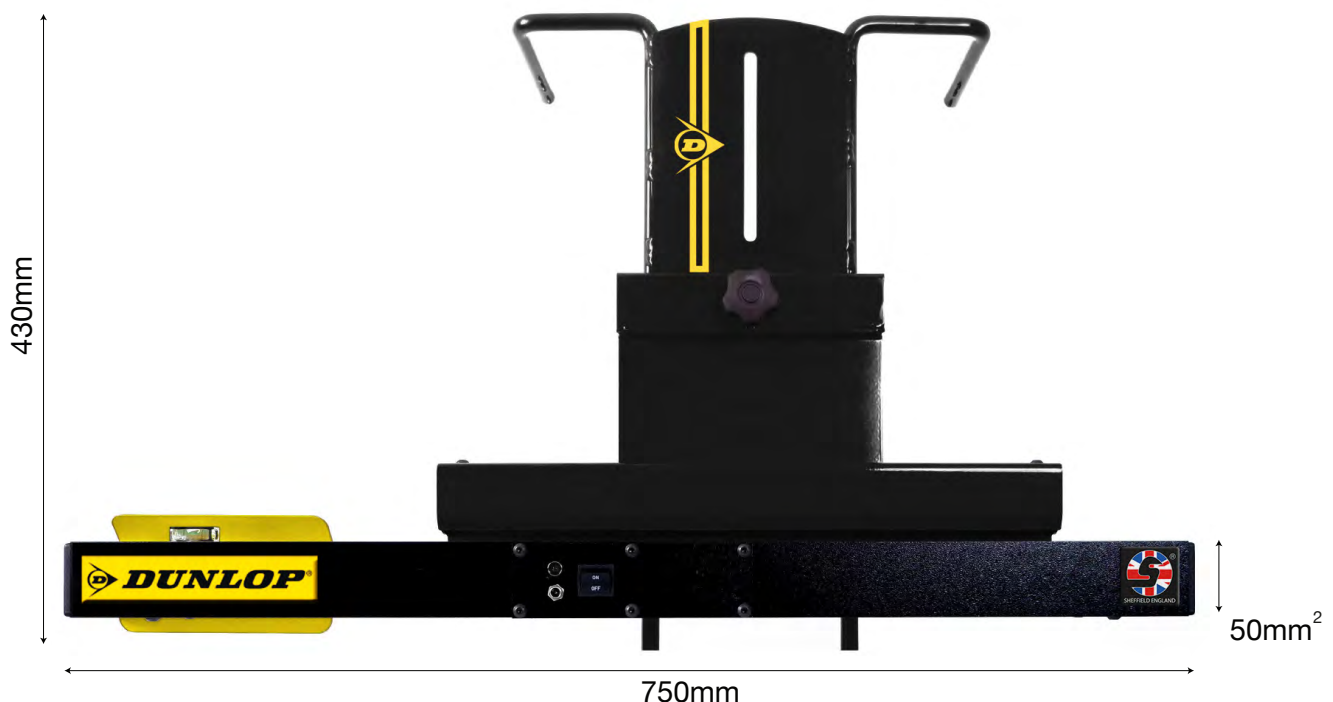
- 2 x Laser Wheel Alignment Gauges
- 1 x Vertical Wall Mounted Hanger
- 2 x Rear Flags
- 1 x Integrated Charger
- 3 Year Limited Warranty (1 year warranty on accessories)

**Accessories include:**

- 2 x Dished Turnplates
- 1 x Standard Steering Wheel Clamp

**Set-up and installation:**

- User manual for step-by-step guide
- Unlimited remote support

**PRODUCT SPECIFICATIONS****2 x Laser Wheel Alignment Gauges**

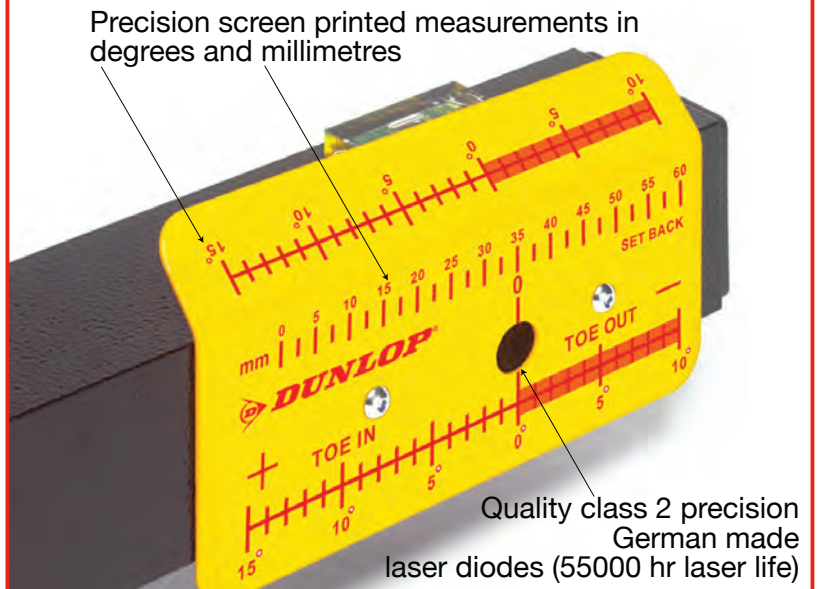
Double powder coated gloss Jet Black (RAL 9005) and gloss Zinc Yellow (RAL 1018), the laser tube is hard wearing leatherette textured Jet Black (RAL 9005)



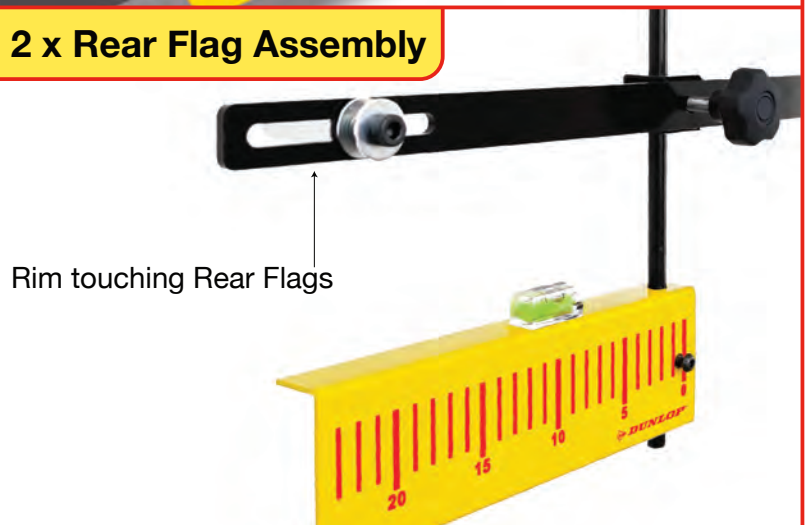
### 1 x Wall Bracket



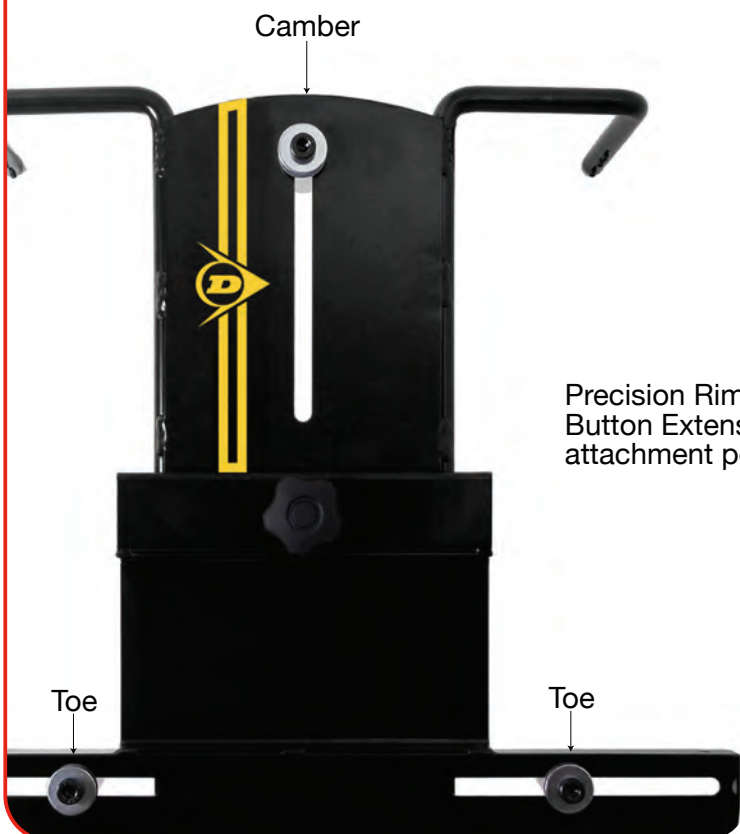
### 2 x Toe Scale



### 2 x Rear Flag Assembly



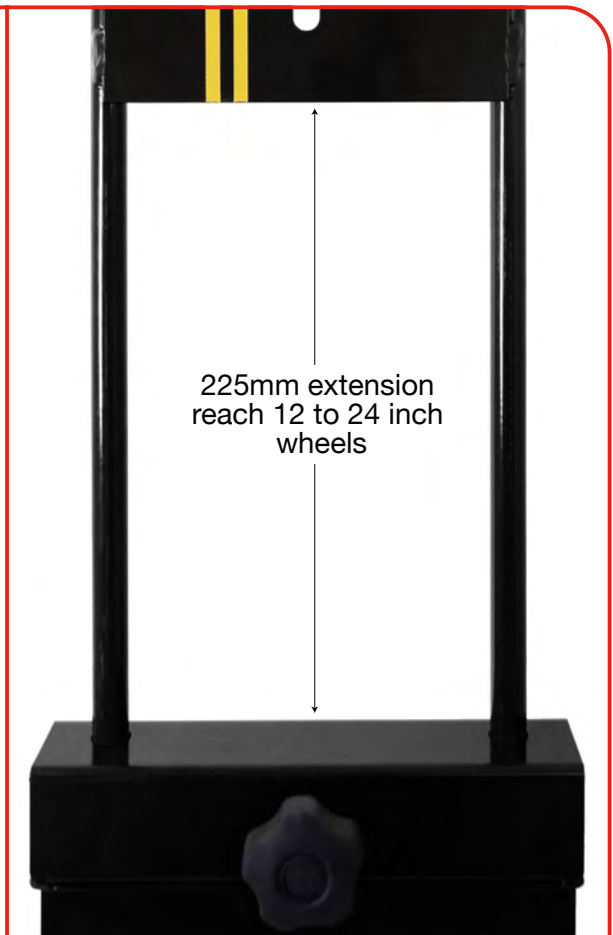
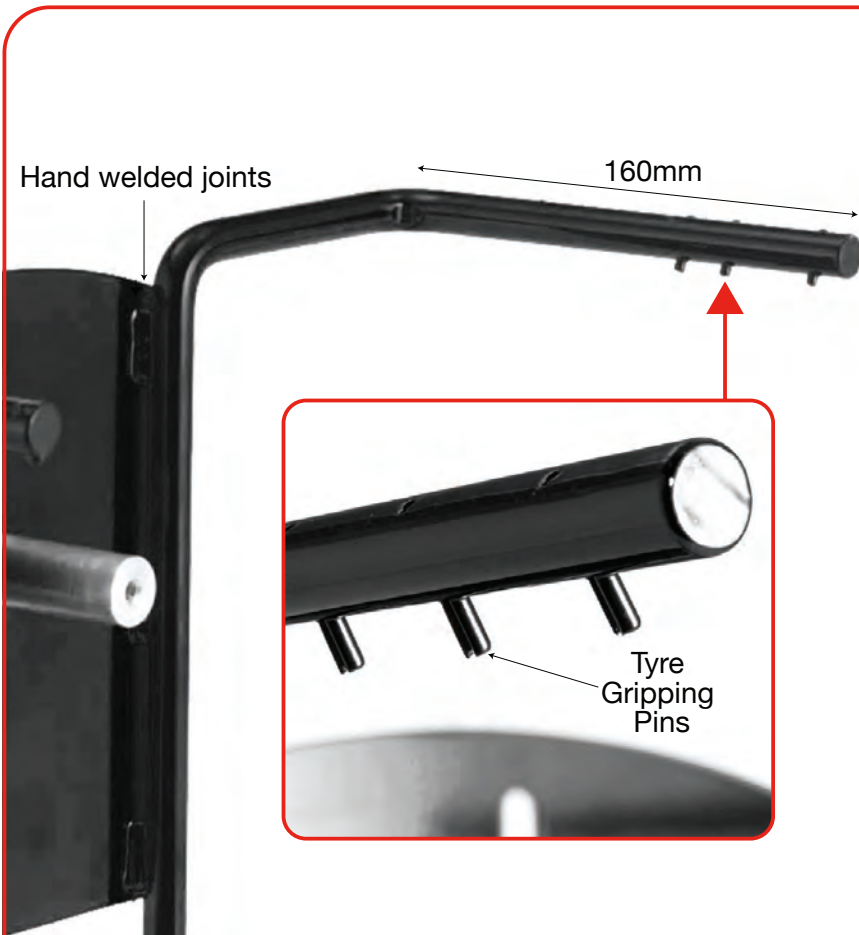
### 10 x Precision milled spring loaded Rim Buttons



Precision Rim Button Extension attachment point

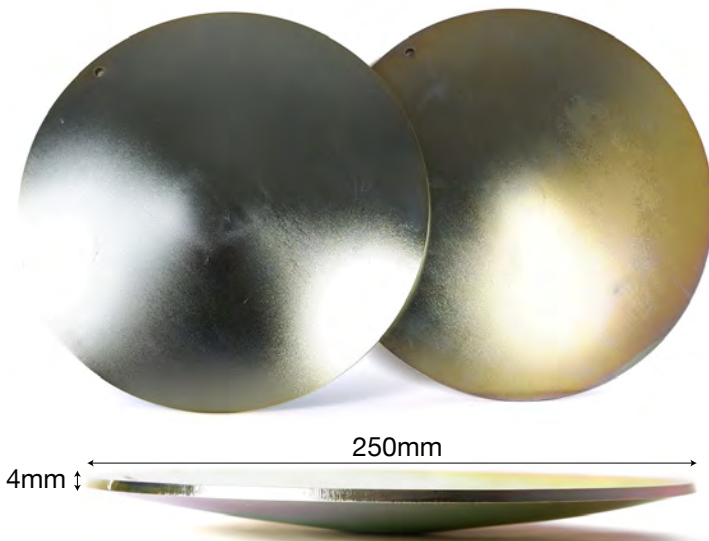


Rim Button Extensions (sold separately)



### 2 x Heavy Duty Dished Turnplates

- Made from 4mm mild steel
- Dished with 200 tonnes of pressure
- Anti rust zinc plating.
- 3.12kg per pair. (1.56 kg each)
- Hand made in Sheffield



### 1 x Standard Steering Wheel Clamp



**Weight (cardboard box): 26kg**

