

AGO50L+/TR

PRODUCT GUIDE



Wheel Aligners

Trolley Mounted Car 4 Wheel Laser Aligner (Tracking Gauges)

Versatile mobile car 4 wheel laser aligner for professional garages. This sturdy mobile trolley allows for practical storage of aligners and accessories with the added bonus of being able to 'roll' it into, and out of, any corner of your workshop.

But best of all, these gauges will stop you wasting so much money. So much money in fact it's staggeringly frightening. Typical proven savings: 3-5% fuel and 10-20% tyre wear. That's real food for thought.

It's quick, it's simple to use, it's well priced and it's built to last.

Comes with:

- 2 Laser Wheel Alignment Gauges
- 1 x Heavy Duty Trolley Mounted Cabinet
- 2 x Rear Flags
- 1 x Integrated Charger
- 3 Year Limited Warranty (1 year warranty on accessories)

Accessories include:

- 2 x Premium Heavy Duty Turnplates (4mm thickness)
- 1 x Premium Steering Wheel Clamp
- 1 x Brake Pedal Depressor Tool
- 1 x Steering Wheel Levelling Tool
- 1 x Calibration Rig for self-calibration
- 6 x 40mm Rim Button Extensions

Set-up and installation:

- User manual for step-by-step guide
- Unlimited remote support

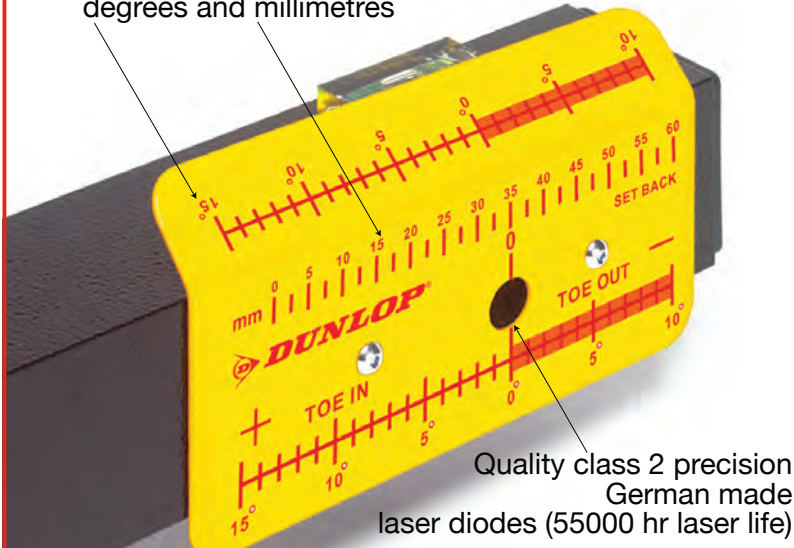
PRODUCT SPECIFICATIONS**2 x Laser Wheel Alignment Gauges**

Double powder coated gloss Jet Black (RAL 9005) and gloss Zinc Yellow (RAL 1018), the laser tube is hard wearing leatherette textured Jet Black (RAL 9005)



2 x Toe Scales

Precision screen printed measurements in degrees and millimetres

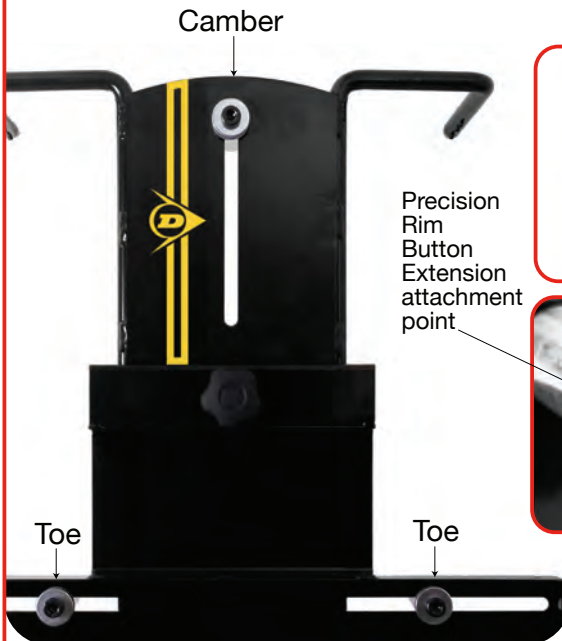


2 x Rear Flag Assembly

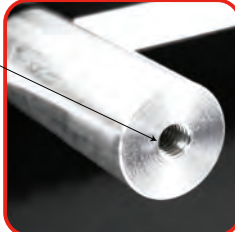
Rim touching Rear Flags



10 x Precision milled spring loaded Rim Buttons

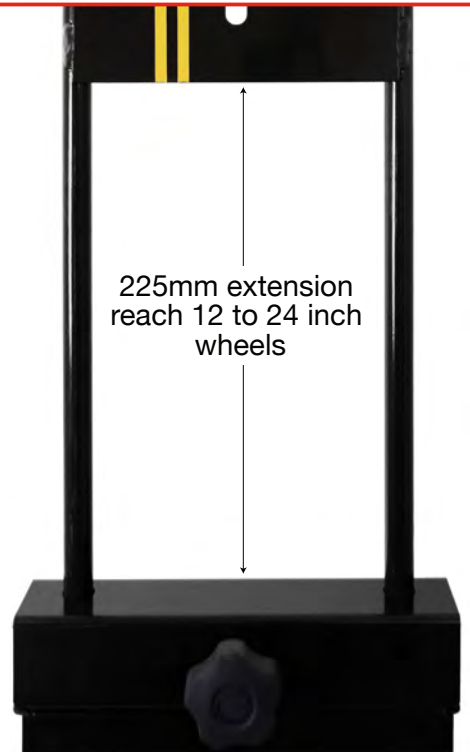


Precision Rim Button Extension attachment point

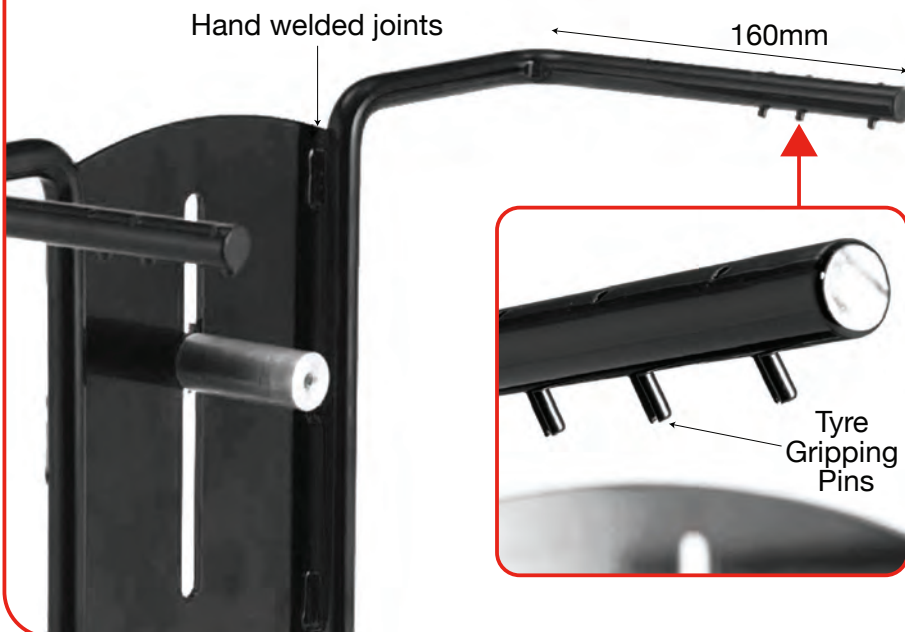


6 x Precision Rim Button Extensions

225mm extension reach 12 to 24 inch wheels

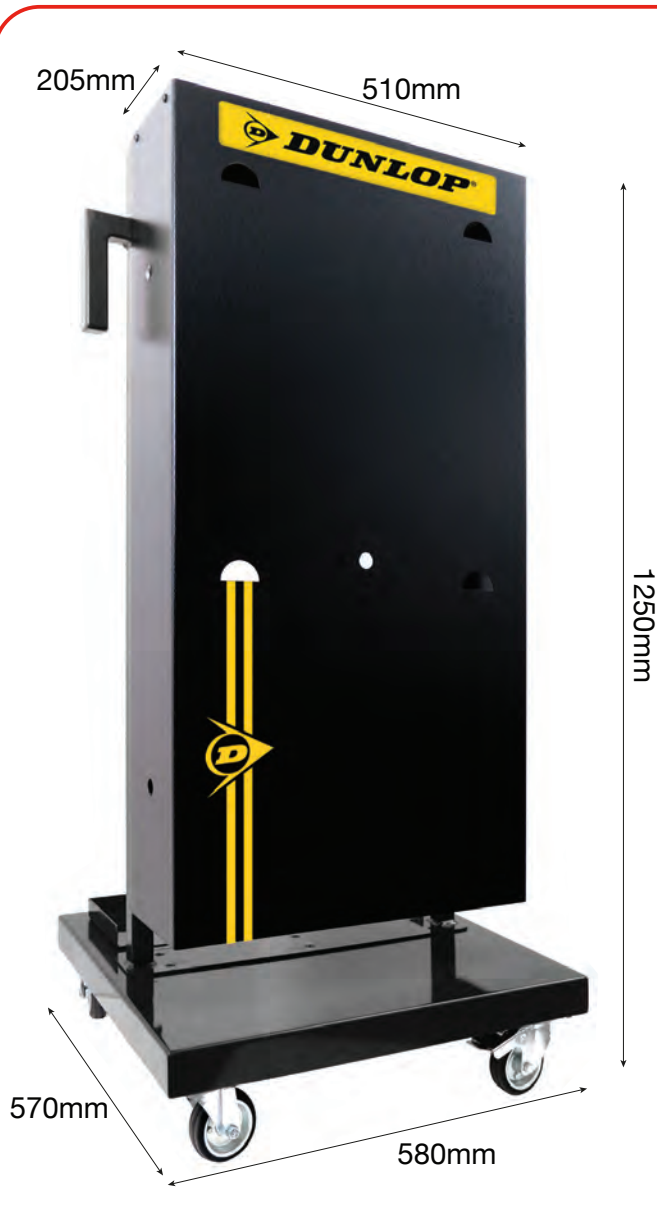


4 x Laser Diodes



Battery Charger Port (2 x 3.7v batteries included)





Accessories

- 2 x Heavy Duty Dished Turnplates (4mm thickness, 250mm Diameter)
- Premium Steering Wheel Clamp
- Premium Brake Pedal Depressor Tool
- Steering Wheel Levelling Tool



Accessory Tray



Weight (wooden crate): 100kg

