

AGO55L - TS

PRODUCT GUIDE



Wheel Aligners

Truck Twin Steer Laser Aligner (Tracking Gauges)

The Twin Steer is the best laser truck wheel alignment tool on the world market today for the money! It's British, hand-made in Sheffield, seriously robust and doesn't cost the earth.

The Twin Steer is a flagship Truck wheel alignment tool. It's a beast. It's the best. Tracks multi-axle vehicles and trailers at a stroke. It's quick, accurate, robust, built to last and very simple to use.

Its simple but effective design allows accurate alignment in practically any environment. Minimal moving parts, no wires, pin sharp laser images and rechargeable batteries all add up to one seriously versatile Truck Wheel Alignment Tool.

Fits 16' to 25' wheels and can be used on 3.5 ton 'Vans' and up to 40 ton 'Articulated HGV'.

Comes with:

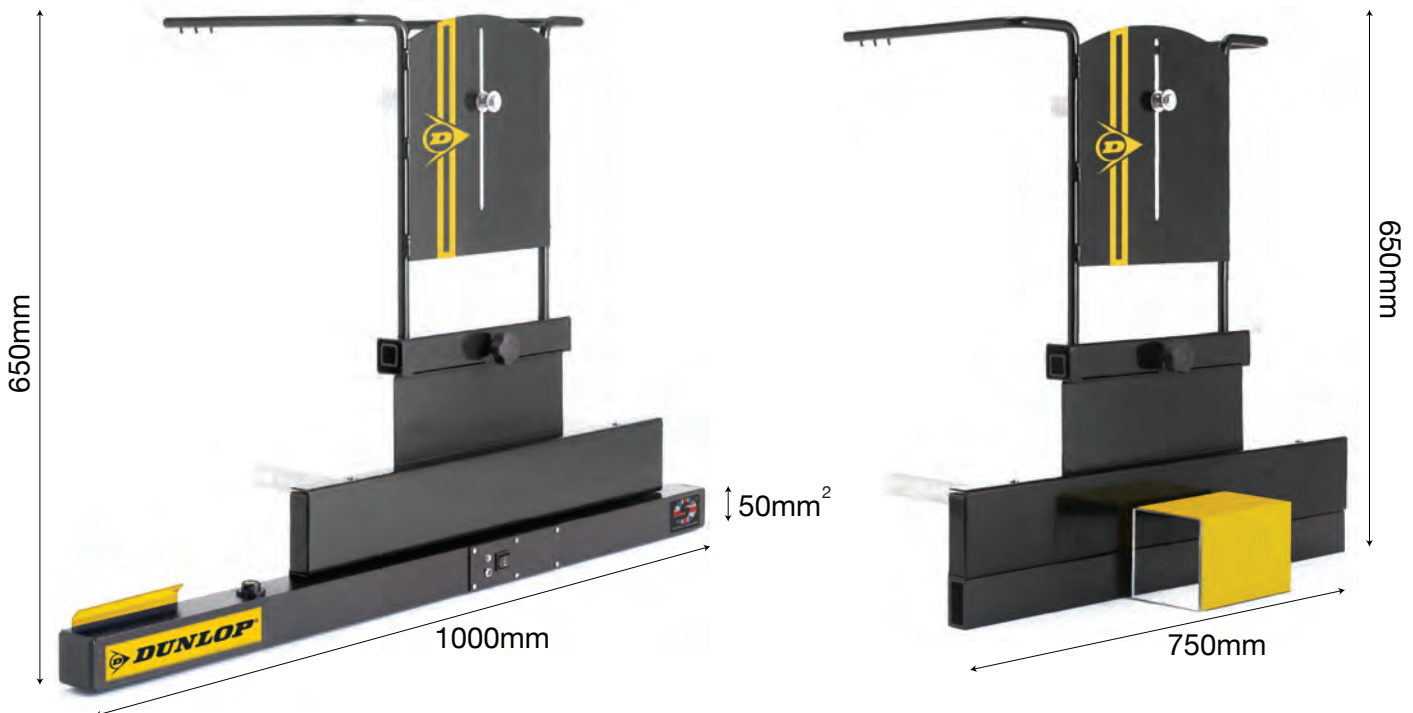
- 4 x Wheel Alignment Gauges
- 2 x Rear Flag Assemblies
- 4 x Wall Mounted Brackets
- 3 Year Limited Warranty

Accessories Include:

- 4 x Heavy Duty Dished Turnplates
- 1 x Calibration Rig (for self-calibration)
- 6 x 40mm Rim Button Extensions

Set-up and installation:

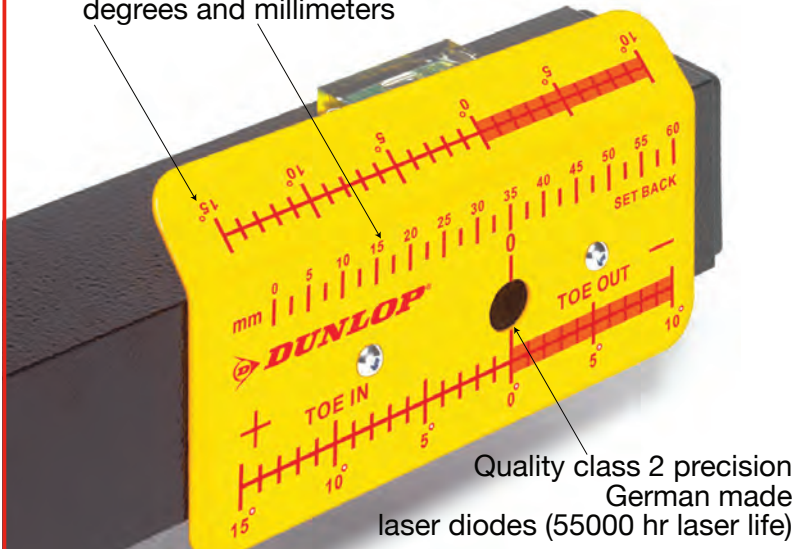
- User manual for step-by-step guide
- Unlimited remote support

PRODUCT SPECIFICATIONS**2 x Laser Wheel Alignment Gauges****2 x Optical Wheel Alignment Gauges**

Double powder coated gloss Jet Black (RAL 9005) and gloss Zinc Yellow (RAL 1018), the laser tube is hard wearing leatherette textured Jet Black (RAL 9005)

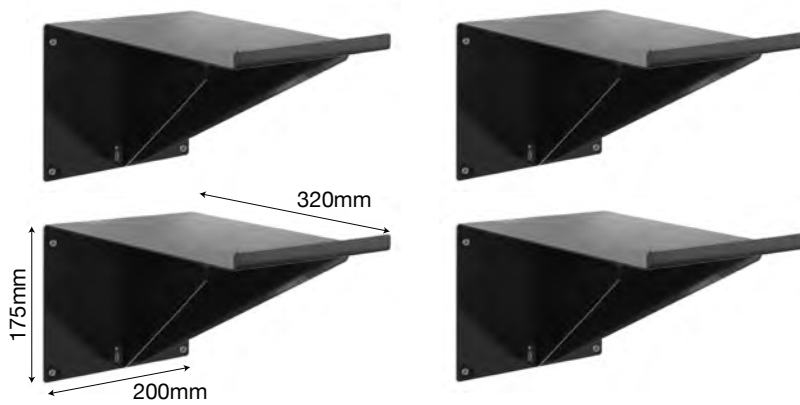
2 x Toe Scales

Precision screen printed measurements in degrees and millimeters



2 x Mirrors

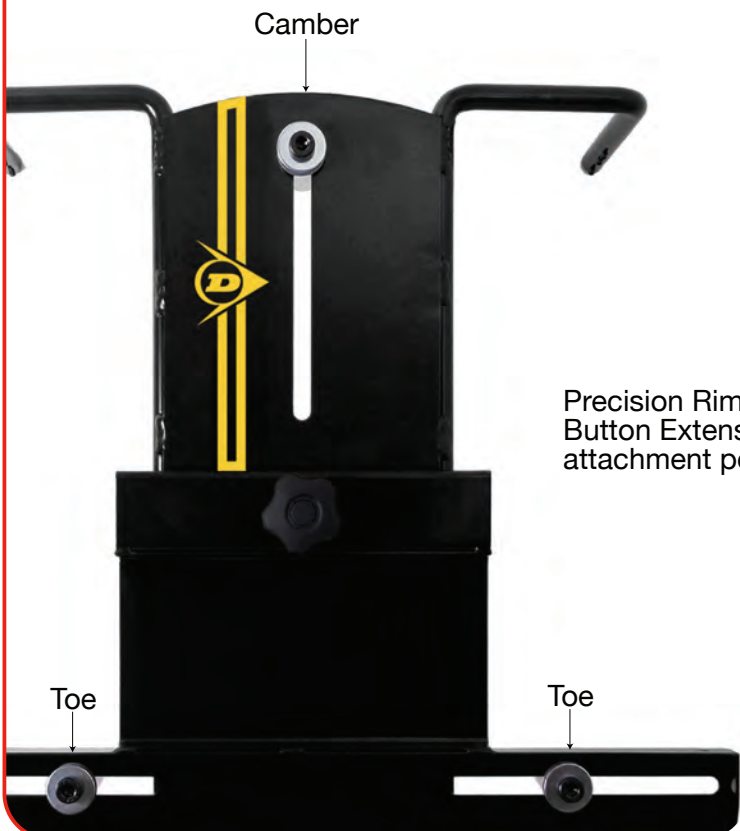
4 x Wall Brackets



4 x Laser Diodes



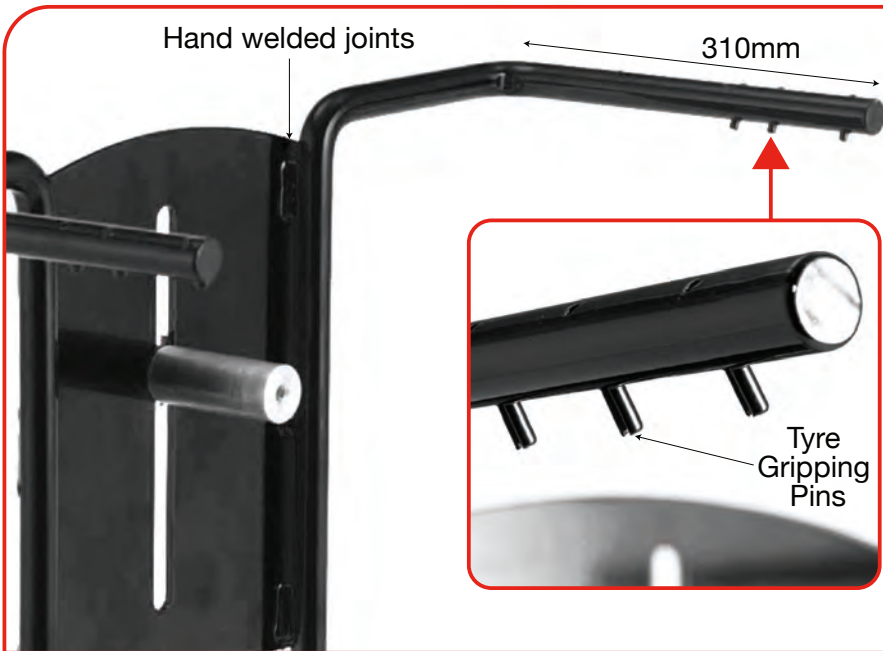
12 x Precision milled spring loaded Rim Buttons



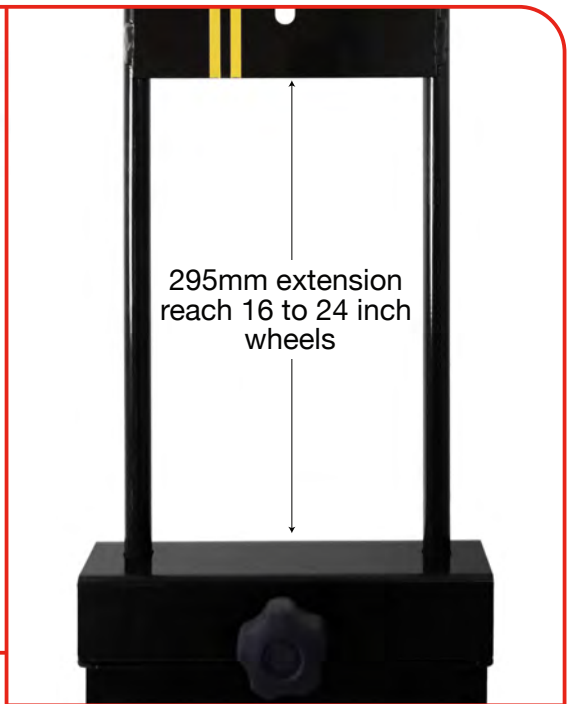
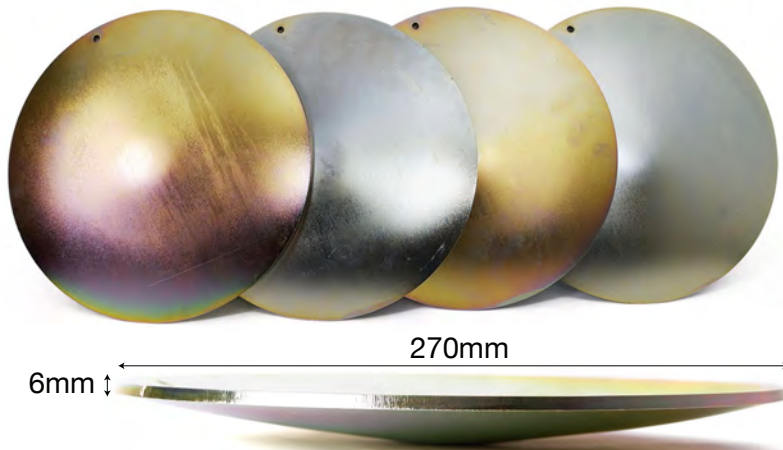
Precision Rim Button Extension attachment point



Rim Button Extension



4 x Truck Dished Turnplates



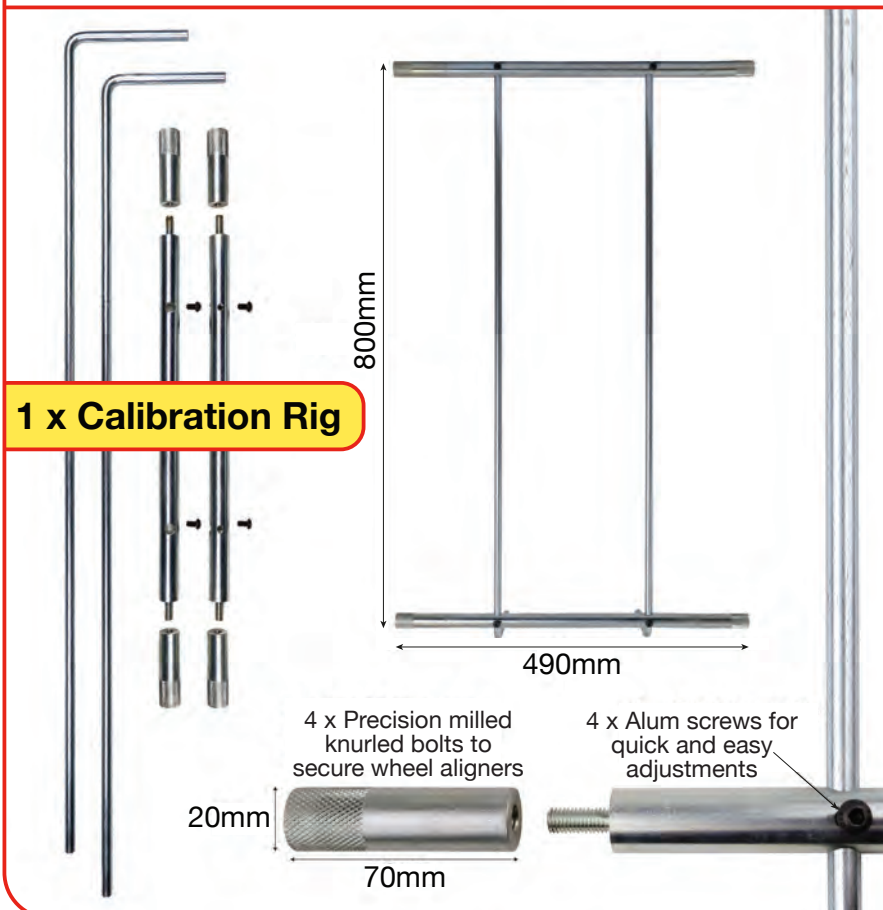
2 x Rear Flag Assembly



6 x Rim Button Extensions



Weight (wooden crate): 98kg



1 x Calibration Rig

